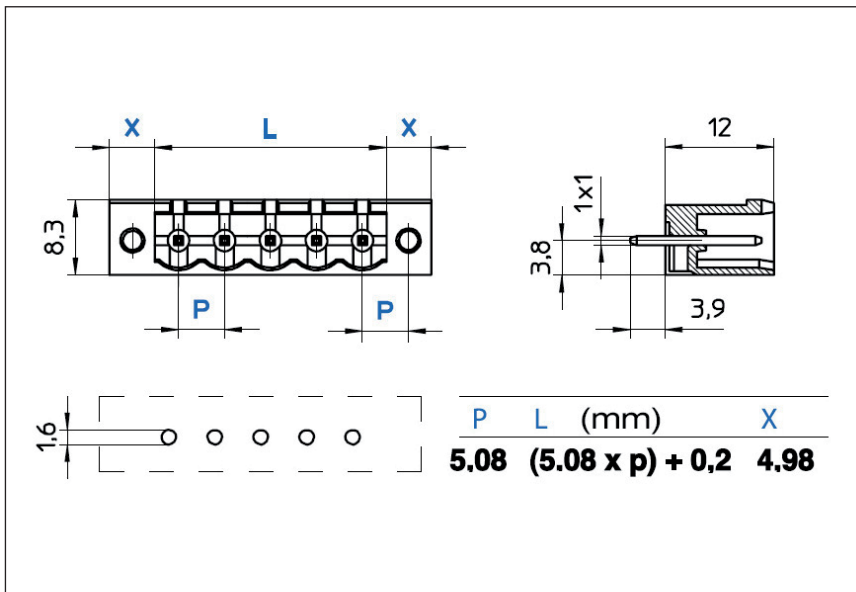
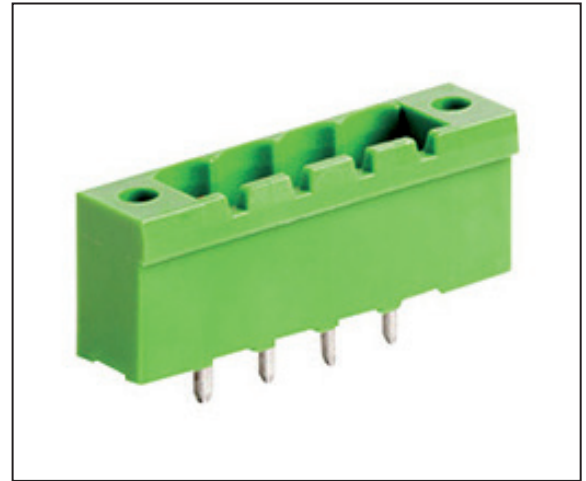


Standard Pluggable PCB Terminal Block Header with Screw Flange CPM5.08-FV

The CPM family of printed circuit board headers is used with the CPF and MRT3 pluggable terminal blocks. The CPM is available in both a vertical and 90 degree version and with either open or closed ends. A feature of the CPM header is the molded-in polarization that insures proper mating of the plug. The CPM headers are available in 2 to 24 positions and have a UL rating of 12 amps, 300 volts. The standard color is green, however other colors are available upon request.

SPECIFICATIONS

Housing Material:	PA68 Polyamide, Flammable UL94V0
Housing Color:	Green
Pin:	Tin Plated Brass
PCB Mounting Hole:	1.6 mm
Nominal Current:	12A
Voltage:	300V
Temperature Range:	-30° C to 85° C



Item	No. of Poles	Length (mm)
CPM5.08-FV	2	20.32
CPM5.08-FV	3	25.4
CPM5.08-FV	4	30.48
CPM5.08-FV	5	35.56
CPM5.08-FV	6	40.64
CPM5.08-FV	7	45.72
CPM5.08-FV	8	50.8
CPM5.08-FV	9	55.88
CPM5.08-FV	10	60.96
CPM5.08-FV	11	66.04
CPM5.08-FV	12	71.12
CPM5.08-FV	13	76.2
CPM5.08-FV	14	81.12
CPM5.08-FV	15	86.36
CPM5.08-FV	16	91.44
CPM5.08-FV	17	95
CPM5.08-FV	18	101.6
CPM5.08-FV	19	106.68
CPM5.08-FV	20	111.76
CPM5.08-FV	21	116.84
CPM5.08-FV	22	121.92
CPM5.08-FV	23	127
CPM5.08-FV	24	132.08